

FE2owlet

for single phase alternating current, 6 pole

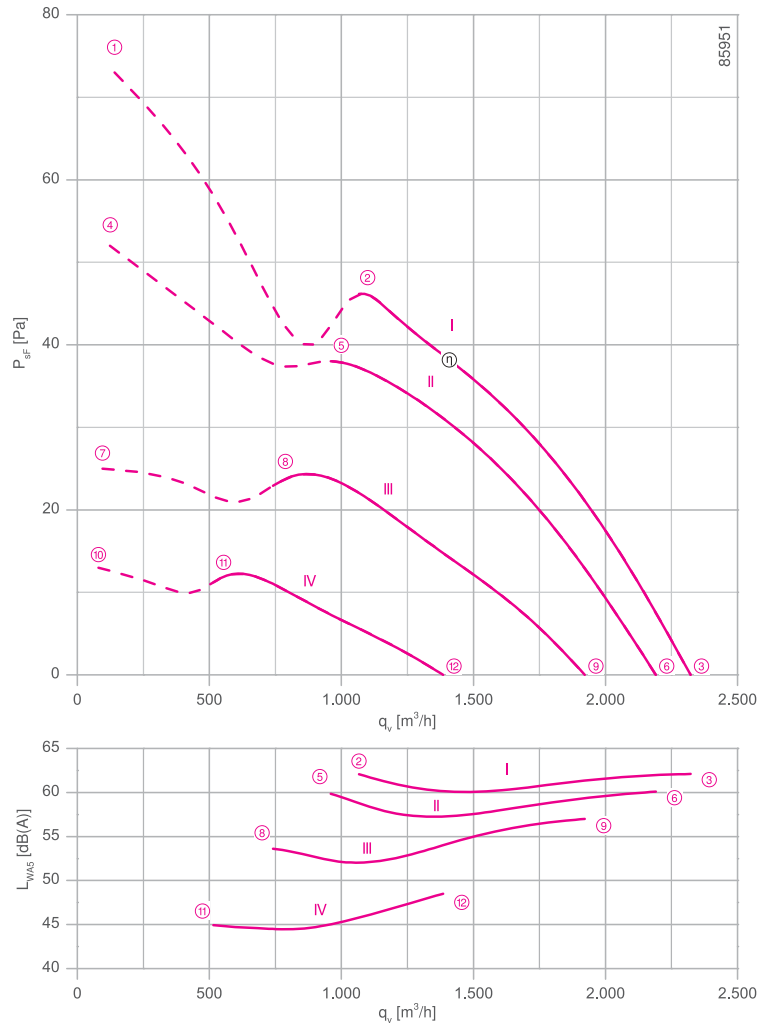
FN035-6E



Description

Motor technology: AC
 Rated voltage U_N : 1~ 230 V \pm 10 %*
 Rated frequency f_N : 50 Hz* (60Hz data available)
 Input power P_i : 85 W*
 Rated current I_N : 0.39 A*
 Rated speed n_N : 930 min⁻¹*
 Starting current I_s : 0.75 A
 Current increase ΔI : 0 %
 Service capacitor C_{400V} : 3.0 μ F
 Thermal class: **THCL155***
 Min. permitted ambient temperature $t_{R(min)}$: -25 °C
 Max. permitted ambient temperature $t_{R(max)}$: 70 °C
 Electrical connection: Terminal box
 Number of blades: 7
 Protection class: IP54
 Motor protection: thermal contact
 Blades: High Performance Composite Material, uncoated, black
 Rotor: Aluminium, 1 coat paint, jet black
 Conformity: CE
ErP-data
 Not subject to the regulations of ErP directive ($P_i < 125$ W)
 * Rated data

Characteristic curve



Measured in full bell mouth without guard grille in installation type A according to ISO 5801

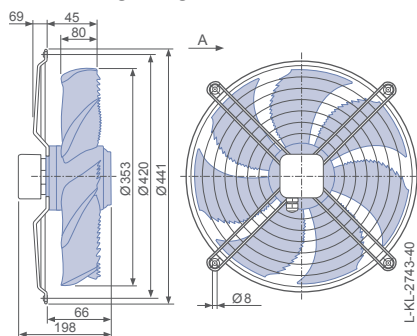
Connection diagram Page 531
 for airflow direction A 1360-104XB
 for airflow direction V 1360-104XA

System components Page 430

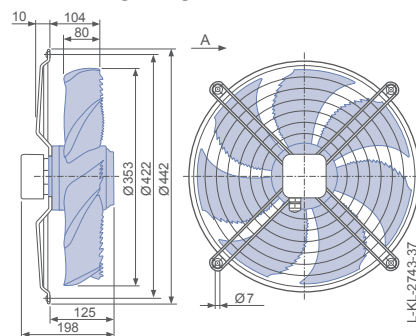
Dimensions mm

Airflow direction A

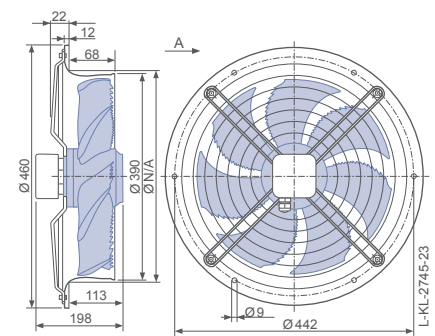
Design W - axial bolted, mounting for short bell mouth, guard grille suction side



Design D - axial bolted, suspension for full bell mouth, guard grille suction side



Design L - round full bell mouth, guard grille suction side



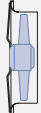





Performance data

Type	Characteristic curve	Voltage	Operating point	Current	Input power	Speed	Suction side sound power level
		U V		I A	P ₁ W	n min ⁻¹	L _{WA5} dB(A)
FN035-6E_OC_7P2	I	230	①	0.42	95	900	
		230*	②	0.39*	85*	930*	62
		230	③	0.37	80	940	62
	II	170	④	0.42	70	760	
		170	⑤	0.36	60	850	60
		170	⑥	0.31	55	890	60
	III	135	⑦	0.38	50	530	
		135	⑧	0.36	48	670	54
		135	⑨	0.32	42	780	57
	IV	110	⑩	0.33	36	390	
		110	⑪	0.32	34	470	45
		110	⑫	0.31	34	570	49

*rated data

Fan ordering information

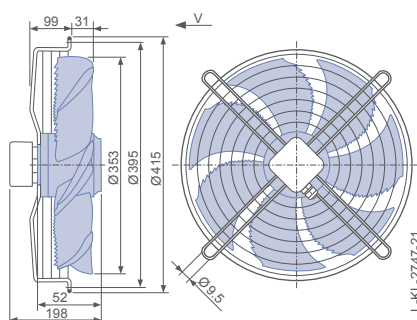
	Airflow direction A			Airflow direction V		
Design	W (guard grille suction side)	D (guard grille suction side)	L (guard grille suction side)	K (guard grille pressure side)	I (guard grille pressure side)	H (guard grille pressure side)
						
Type Article no.	FN035-6EW.OC.A7P2 155897	FN035-6ED.OC.A7P2 155895	FN035-6EL.OC.A7P2 155896	FN035-6EK.OC.V7P2 155901	FN035-6EI.OC.V7P2 155899	FN035-6EH.OC.V7P2 155900
Weight kg	4.50	4.10	6.10	4.60	4.10	6.10

Control technology

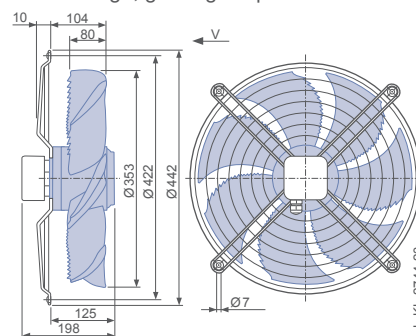
<p>Frequency inverters Control 1~</p>  <p>Page 474</p>	<p>Motor protection units 1~</p>  <p>Page 518</p>	<p>Electronic voltage controllers 1~</p>  <p>Page 492</p>
---	--	--

Airflow direction V

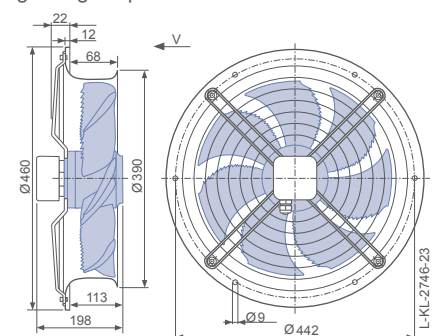
Design K - axial bolted, mounted for short bell mouth, guard grille pressure side



Design I - axial bolted, mounting for bell mouth flange, guard grille pressure side



Design H - pipe sockets with a flange, guard grille pressure side



Information

FE2owlet
ECblue

FE2owlet

FE2owlet-ECblue
with ZApplus

FE2owlet
with ZApplus

System
components

Control
technology

Appendix