

220-240V 50 1~**GENERAL DATA**

Application: LBP
Refrigerant: R404A
Evaporating Temperature Range: -40°C to -10°C
Compressor Cooling: Fan
Fan air flow: 800 m³/h
Type: Hermetic reciprocating
Technology Type: On-Off
Expansion Device: Capillary Tube or Expansion Valve
Packing Quantity: Single - 1 pc
Displacement: 26.1 cm³
Horse power: 1.25 hp

Approvals:    

MECHANICAL DATA

Bore: 41.77 mm
Stroke: 19.07 mm
Oil Charge: 750ml +/-15ml
Free Internal Volume: 3.9 cm³
Maximum Recommended Refrigerant Charge: 800 g
Oil Type Configuration: Polyolester
Oil Type Viscosity: ISO22
Compressor pressurization: Dry air charge
Weight: 22 kg

ELECTRICAL DATA

Motor Type: CSR
Starting Torque: HST
Voltage working range at 50 Hz: 198-254 V
Maximum Motor Temperature: 130 °C
Start Winding Resistance: 7.43 Ω (± 10%) at 25°C
Run Winding Resistance: 1.92 Ω (± 10%) at 25°C

MOUNTING ACCESSORIES

| | Description | Code |
|------------------------------------|-------------|---------|
| Cover: | yes | 2075281 |
| Terminal Board: | no | - |
| Anchorage: | no | - |
| Overload Protector Bracket: | no | - |
| Capacitor Bracket: | no | - |
| Grommets: | yes | 2221004 |
| Sleeves: | yes | 2222016 |
| Washer: | no | - |
| Pin: | no | - |
| Clip: | no | - |
| Rotolock valve: | no | - |

ELECTRICAL COMPONENTS

| | Component type | Description | Code |
|--------------------------|-----------------|-----------------|---------|
| Motor Protection: | Internal | 15HM1962 | |
| Start Capacitor: | | 88-108 MFD 330V | 2252269 |
| Run Capacitor: | | 15 MFD | 2253310 |
| Starting Device: | Potential relay | RVA2L3C-112 | 1253010 |
| CSR / CSIR Box: | yes | | 1262230 |

EXTERNAL CHARACTERISTICS

Base Plate: Large
Tray Holder: No
Height: 276 mm

| | Internal Diameter (mm) | Material | Shape |
|----------------------------|------------------------|----------|-------------|
| Suction Connector | 12.77 | Copper | Vertical |
| Discharge Connector | 8 | Copper | Slanted 65° |
| Process Connector | 6.42 | Copper | Vertical |



RATED POINT DATA

| Cooling Capacity (W) | Power Consumption (W) | Current Consumption (A) | Gas Flow Rate (kg/h) | Efficiency (W/W) |
|----------------------|-----------------------|-------------------------|----------------------|------------------|
| ±5% | ±5% | ±5% | ±5% | ±7% |
| 1 199 | 949 | 5.09 | 27.74 | 1.26 |

Test condition: ASHRAE, Fan, Return Gas 32.2°C, Evaporating: -23.3°C, Condensing: 54°C, Ambient: 32.2°C, Liquid: 32.2°C

PERFORMANCE CURVE DATA

220V 50Hz

| Condensing Temperature (°C) | Evaporating Temperature (°C) | Cooling Capacity (W) | Power Consumption (W) | Current Consumption (A) | Gas Flow Rate (kg/h) | Efficiency (W/W) |
|-----------------------------|------------------------------|----------------------|-----------------------|-------------------------|----------------------|------------------|
| | | ±5% | ±5% | ±5% | ±5% | ±7% |
| 35°C | -10 | 2 578 | 1 146 | 5.98 | 60.85 | 2.25 |
| | -15 | 2 086 | 1 032 | 5.46 | 48.90 | 2.02 |
| | -20 | 1 655 | 923 | 4.99 | 38.57 | 1.79 |
| | -25 | 1 287 | 819 | 4.57 | 29.83 | 1.57 |
| | -30 | 982 | 721 | 4.18 | 22.66 | 1.36 |
| | -35 | 741 | 629 | 3.84 | 17.04 | 1.18 |
| | -40 | 564 | 544 | 3.54 | 12.93 | 1.04 |

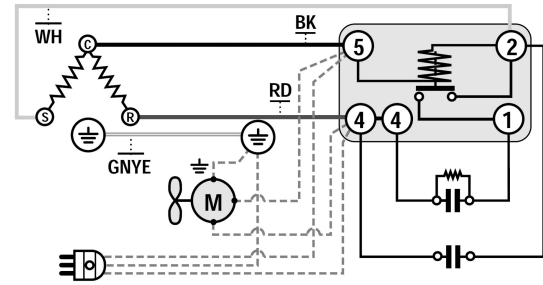
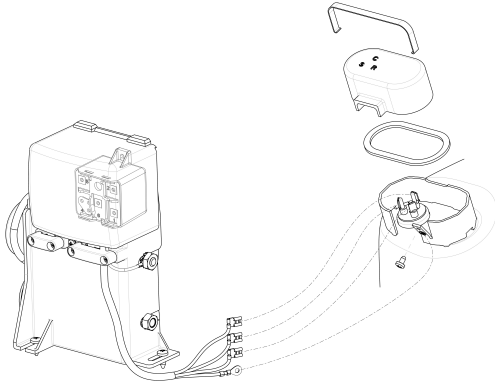
| Condensing Temperature (°C) | Evaporating Temperature (°C) | Cooling Capacity (W) | Power Consumption (W) | Current Consumption (A) | Gas Flow Rate (kg/h) | Efficiency (W/W) |
|-----------------------------|------------------------------|----------------------|-----------------------|-------------------------|----------------------|------------------|
| | | ±5% | ±5% | ±5% | ±5% | ±7% |
| 45°C | -10 | 2 366 | 1 224 | 6.31 | 55.74 | 1.93 |
| | -15 | 1 917 | 1 101 | 5.75 | 44.84 | 1.74 |
| | -20 | 1 519 | 979 | 5.22 | 35.31 | 1.55 |
| | -25 | 1 173 | 860 | 4.72 | 27.13 | 1.36 |
| | -30 | 880 | 744 | 4.26 | 20.27 | 1.18 |
| | -35 | 640 | 632 | 3.84 | 14.71 | 1.01 |

| Condensing Temperature (°C) | Evaporating Temperature (°C) | Cooling Capacity (W) | Power Consumption (W) | Current Consumption (A) | Gas Flow Rate (kg/h) | Efficiency (W/W) |
|-----------------------------|------------------------------|----------------------|-----------------------|-------------------------|----------------------|------------------|
| | | ±5% | ±5% | ±5% | ±5% | ±7% |
| 55°C | -10 | 2 196 | 1 317 | 6.72 | 51.64 | 1.67 |
| | -15 | 1 784 | 1 181 | 6.10 | 41.66 | 1.51 |
| | -20 | 1 413 | 1 045 | 5.49 | 32.79 | 1.35 |
| | -25 | 1 084 | 908 | 4.92 | 25.03 | 1.19 |
| | -30 | 797 | 773 | 4.37 | 18.34 | 1.03 |

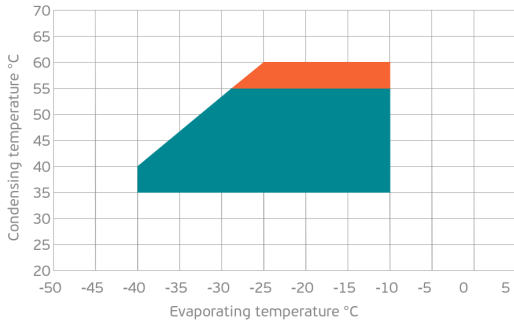
Test condition: ASHRAE, Fan, Return Gas 32.2°C, Ambient: 32.2°C, Liquid: 32.2°C

ASSEMBLY INSTRUCTION

WIRING DIAGRAM

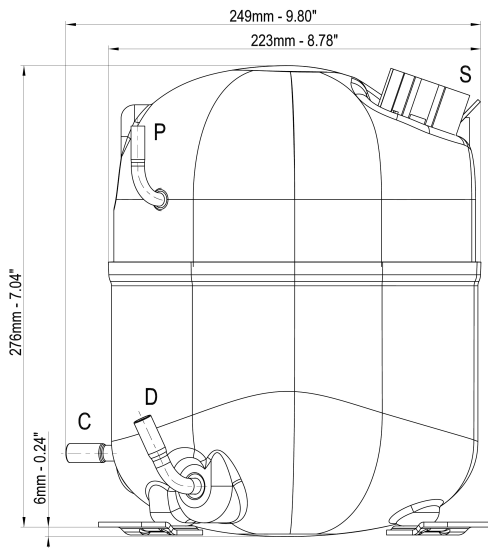


OPERATING ENVELOPE



- Operating Condition
- Transient Condition
- Superheating

NOTE: usage of compressors outside of intended working range cannot make use of the warranty, or should be consulted with Technical support.



| | ∅ mm | ∅ in | Material |
|-----------------------|---------------|------|----------|
| S - Suction | 12.77 - 12.85 | 0.50 | Cu |
| P - Process | 6.42 - 6.50 | 0.25 | Cu |
| D - Discharge | 8.00 - 8.50 | 0.31 | Cu |
| C - Connection | 8.00 - 8.50 | 0.31 | Cu |

