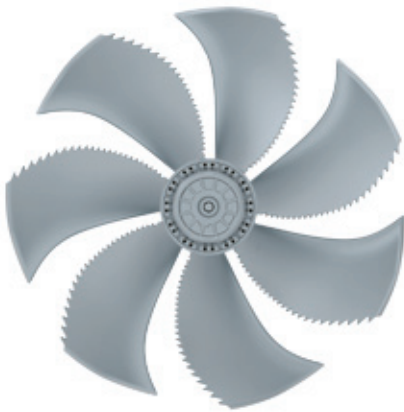


FE2owlet

for single phase alternating current, 8 pole

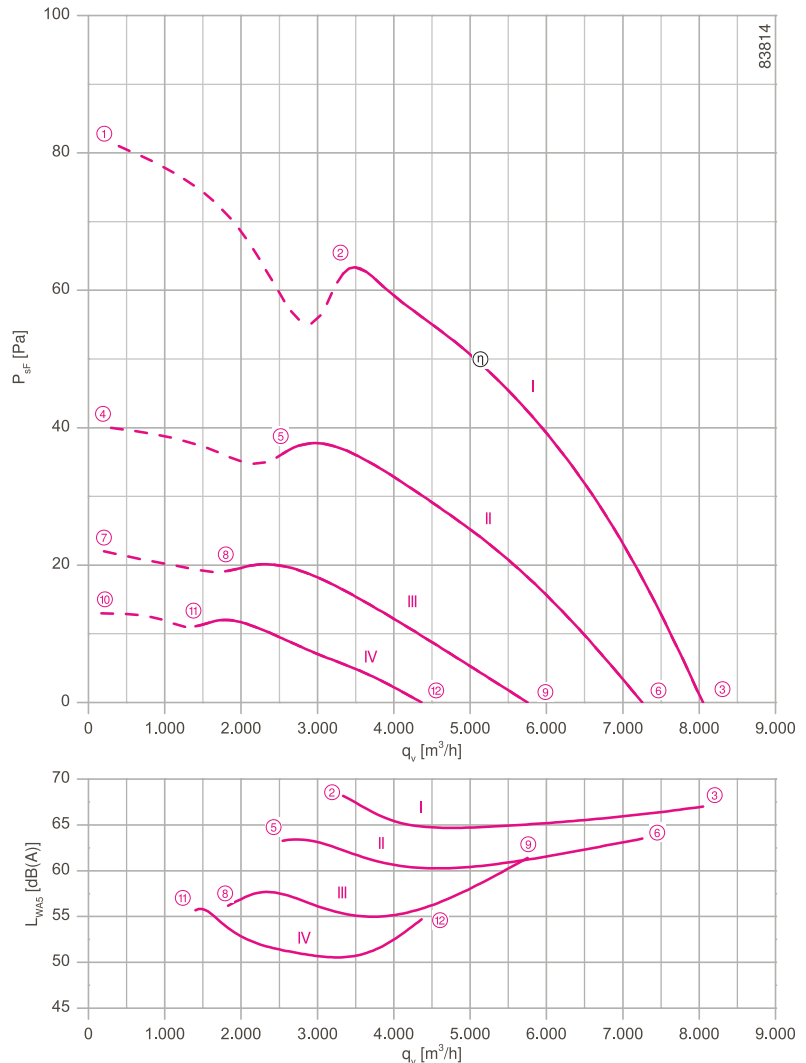
FN063-8E



Description

- Motor technology: AC
- Rated voltage U_N : 1~ 230 V \pm 10 %*
- Rated frequency f_N : 50 Hz* (60Hz data available)
- Motor input power P_1 : 0.33 kW*
- Rated current I_N : 1.60 A*
- Rated speed n_N : 630 min⁻¹*
- Starting current I_s : 2.40 A
- Current increase ΔI : 0 %
- Service capacitor C_{400V} : 8.0 μ F
- Thermal class: **THCL155***
- Min. permitted conveyor temperature $t_{R(min)}$: -25 °C
- Max. permitted conveyor temperature $t_{R(max)}$: 65 °C
- Electrical connection: Terminal box
- Number of blades: 7
- Protection class: IP54
- Motor protection: Thermal contact
- Blades: Aluminium, uncoated
- Rotor: Aluminium, uncoated
- * Rated data

Characteristic curve



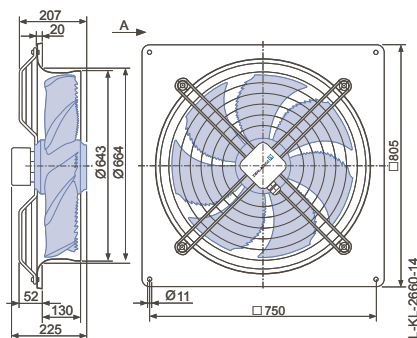
Measured in full bell mouth without guard grille in installation type A according to ISO 5801.

- Connection diagrams Page 608
 - for airflow direction V 1360-104XA
 - for airflow direction A 1360-104XB
- System components Page 524

Dimensions [mm]

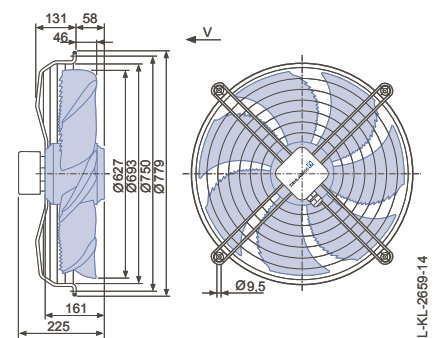
Airflow direction A

Design Q - square, full bell mouth



Airflow direction V

Design K - axial bolted, mounted for short bell mouth E

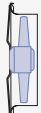



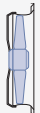


Performance data

Type	Characteristic curve	Voltage	Operating point	Current	Motor input power	Speed	Suction side sound power level
		U [V]		I [A]	P ₁ [W]	n [min ⁻¹]	
FN063-8E_.4I_.7P1	I	230	①	1.80	370	560	68
		230*	②	1.60*	330*	630*	
		230	③	1.35	270	680	
	II	170	④	1.50	230	390	63
		170	⑤	1.40	220	490	
		170	⑥	1.20	190	620	
	III	135	⑦	1.25	140	290	56
		135	⑧	1.20	140	370	
		135	⑨	1.10	140	490	
	IV	110	⑩	1.00	95	230	55
		110	⑪	1.00	95	290	
		110	⑫	0.98	95	370	

*rated data

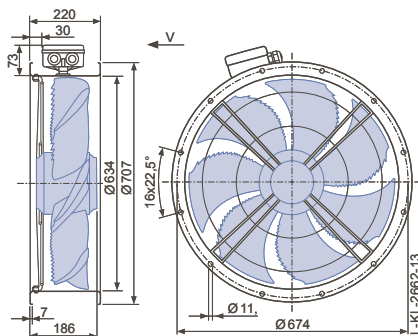
Fan ordering information

Design	Airflow direction A		Airflow direction V		
	Q	K	F (without contact protection)	F (with contact protection)	Q
					
Type	FN063-8EQ.4I.A7P1	FN063-8EK.4I.V7P1	FN063-8EF.4I.V7P1	FN063-8EF.4I.V7P1	FN063-8EQ.4I.V7P1
Article no.	141730	141732	141734	141735	141733
Weight [kg]	24.50	15.40	19.90	20.80	23.90

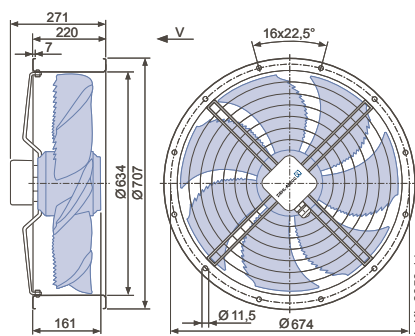
Control technology

<p>Frequency inverter Fcontrol 1~</p>  <p>Page 552</p>	<p>Motor protection units 1~</p>  <p>Page 596</p>	<p>Transformer-based controllers 1~</p>  <p>Page 587</p>	<p>Electronic voltage controllers 1~</p>  <p>Page 562</p>
---	--	---	--

Design F - flange ring with two flanges without guard grille



Design F - flange ring with two flanges and guard grille



Design Q - square, full bell mouth

